



YGX-DYZ101

FEATURES & APPLICATIONS

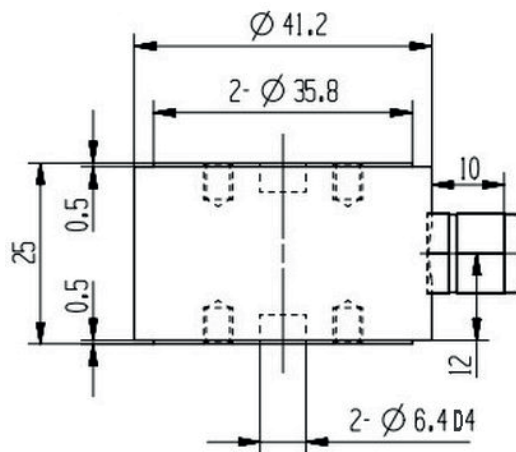
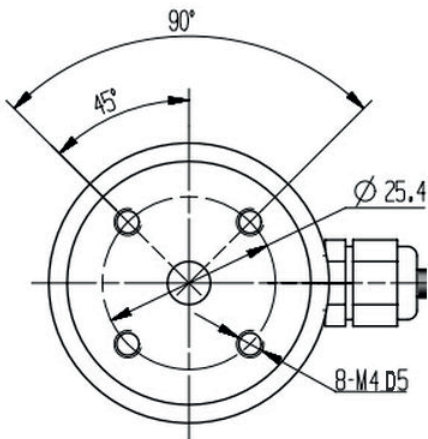
Column structure, with high precision, high dynamic response, large range, small size and so on. Stainless steel material, small size makes the smaller eccentricity error.

MV signal output, our company can provide the amplifier, display indicator and other ancillary equipments. Applicable to key touch tester, hot and cold press pressure detection, mechanical hand grip and other fields.



CAPACITY: 3~500KG

DIMENSIONS(MM):



**SPECIFICATION**

Rated output	2.0±0.05mV/V
Non-linearity	≤±0.1%F·S
Hysteresis	≤±0.1%F·S
Repeatability	≤±0.05%F·S
Creep(30min)	≤±0.1%F·S
Zero balance	≤±1%F·S
Temperature effect on zero	≤±0.1%F·S/10°C
Temperature effect on output	≤±0.1%F·S/10°C
Operation temperature range	-20°C~+80°C
Input impedance	400±20Ω
Output impedance	350±5Ω
Safe overload	≤150%F·S
Insulation	≥5000MΩ(50VDC)
Recommended excitation	10V-15V
Protection Class	IP66
Wiring	Red: + Excitation Black: - Excitation Green: + Signal White: - Signal